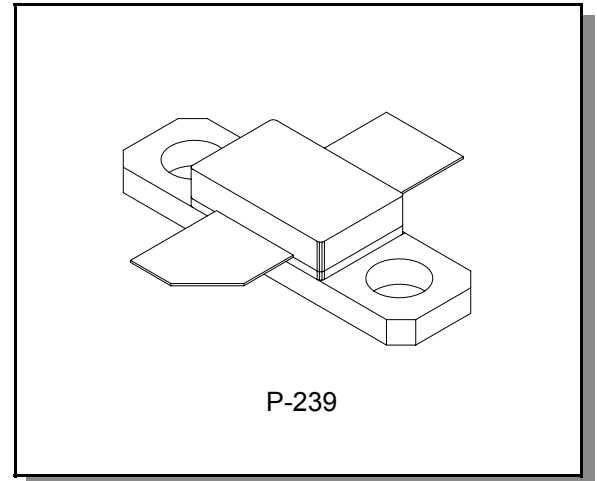


Features

- Designed for 865 to 960 MHz Broadband Commercial and Base Station Applications.
- Typical CW RF Performance at 960MHz, 26V_{DC}:
 - P_{OUT}: 30W (P_{1dB})
 - Gain: 18dB
 - Efficiency: 50%
- Ruggedness: 10:1 VSWR @ 30W CW, 26V, 925MHz
- High Gain, High Efficiency and High Linearity
- Excellent Thermal Stability

Package Style



Maximum Ratings

Parameter	Symbol	Rating	Units
Drain—Source Voltage	V _{DSS}	65	V _{dc}
Gate—Source Voltage	V _{GS}	20	V _{dc}
Total Power Dissipation @ T _C = 25 °C	P _D	97	W
Storage Temperature	T _{STG}	-40 to +150	°C
Junction Temperature	T _J	+200	°C

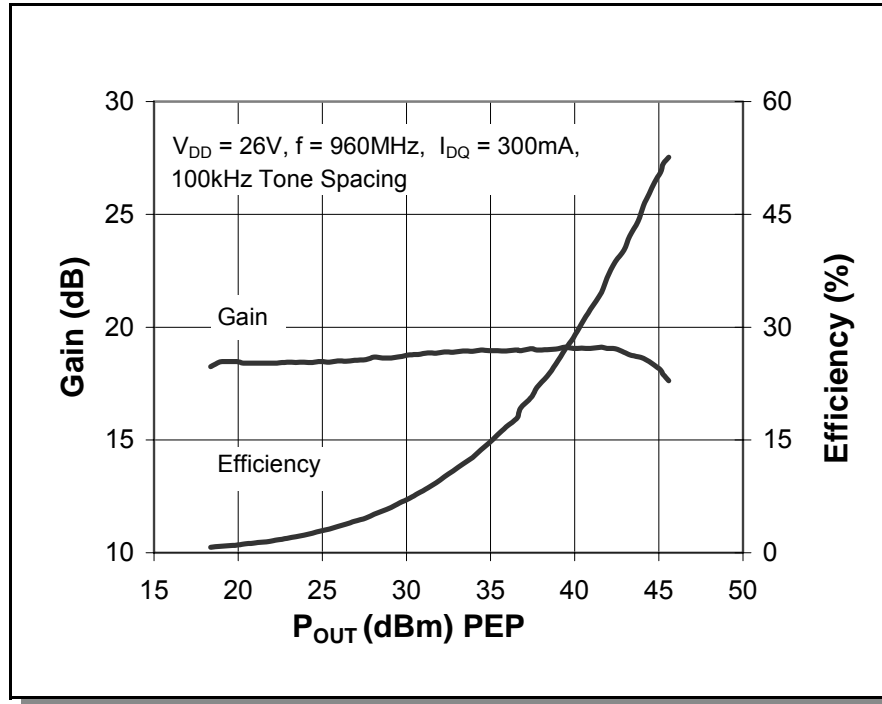
Thermal Characteristics

Characteristic	Symbol	Max	Unit
Thermal Resistance, Junction to Case	R _{θJC}	1.8	°C/W

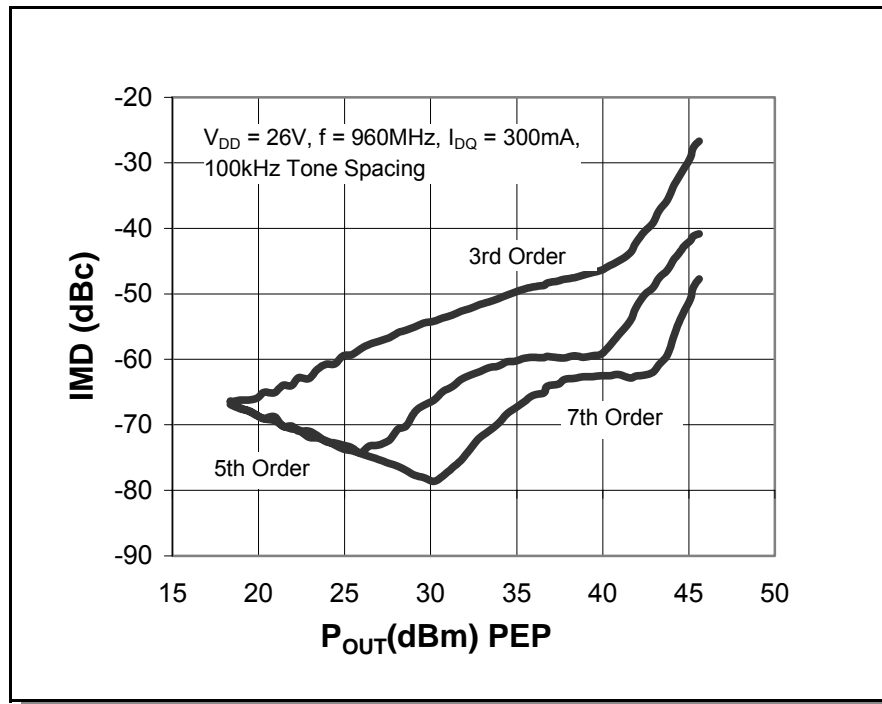
NOTE—CAUTION—MOS devices are susceptible to damage from electrostatic charge. Precautions in handling and packaging MOS devices should be observed.

Characteristic	Symbol	Min	Typ	Max	Unit
DC CHARACTERISTICS @ 25°C					
Drain-Source Breakdown Voltage ($V_{GS} = 0$ Vdc, $I_D = 20$ μ Adc)	$V_{(BR)DSS}$	65	—	—	Vdc
Zero Gate Voltage Drain Leakage Current ($V_{DS} = 26$ Vdc, $V_{GS} = 0$)	I_{DSS}	—	—	1	μ Adc
Gate—Source Leakage Current ($V_{GS} = 5$ Vdc, $V_{DS} = 0$)	I_{GSS}	—	—	3	μ Adc
Gate Threshold Voltage ($V_{DS} = 10$ Vdc, $I_D = 100$ μ A)	$V_{GS(th)}$	2	—	4	Vdc
Gate Quiescent Voltage ($V_{DS} = 26$ Vdc, $I_D = 300$ mA)	$V_{DS(Q)}$	—	4.0	—	Vdc
Drain-Source On-Voltage ($V_{GS} = 10$ Vdc, $I_D = 1$ A)	$V_{DS(on)}$	—	0.20	—	Vdc
Forward Transconductance ($V_{GS} = 10$ Vdc, $I_D = 1$ A)	Gm	—	2.0	—	S
DYNAMIC CHARACTERISTICS @ 25°C					
Input Capacitance ($V_{DS} = 26$ Vdc, $V_{GS} = 0$, $f = 1$ MHz)	C_{iss}	—	50	—	pF
Output Capacitance ($V_{DS} = 26$ Vdc, $V_{GS} = 0$, $f = 1$ MHz)	C_{oss}	—	32	—	pF
Reverse Transfer Capacitance ($V_{DS} = 26$ Vdc, $V_{GS} = 0$, $f = 1$ MHz)	C_{rss}	—	1.4	—	pF
RF FUNCTIONAL TESTS @ 25°C (In M/A-COM Test Fixture)					
Common Source Amplifier Gain ($V_{DD} = 26$ Vdc, $I_{DQ} = 300$ mA, $f = 920$ & 960 MHz, $P_{OUT} = 30$ W)	G_P	—	18	—	dB
Drain Efficiency ($V_{DD} = 26$ Vdc, $I_{DQ} = 300$ mA, $f = 920$ & 960 MHz, $P_{OUT} = 30$ W)	EFF (η)	—	50	—	%
Input Return Loss ($V_{DD} = 26$ Vdc, $I_{DQ} = 300$ mA, $f = 920$ & 960 MHz, $P_{OUT} = 30$ W)	IRL	—	12	—	dB
Output VSWR Tolerance ($V_{DD} = 26$ Vdc, $I_{DQ} = 300$ mA, $f = 920$ & 960 MHz, $P_{OUT} = 30$ W, VSWR = 10:1, All Phase Angles at Frequency of Tests)	Ψ	No Degradation In Output Power Before and After Test			

Preliminary

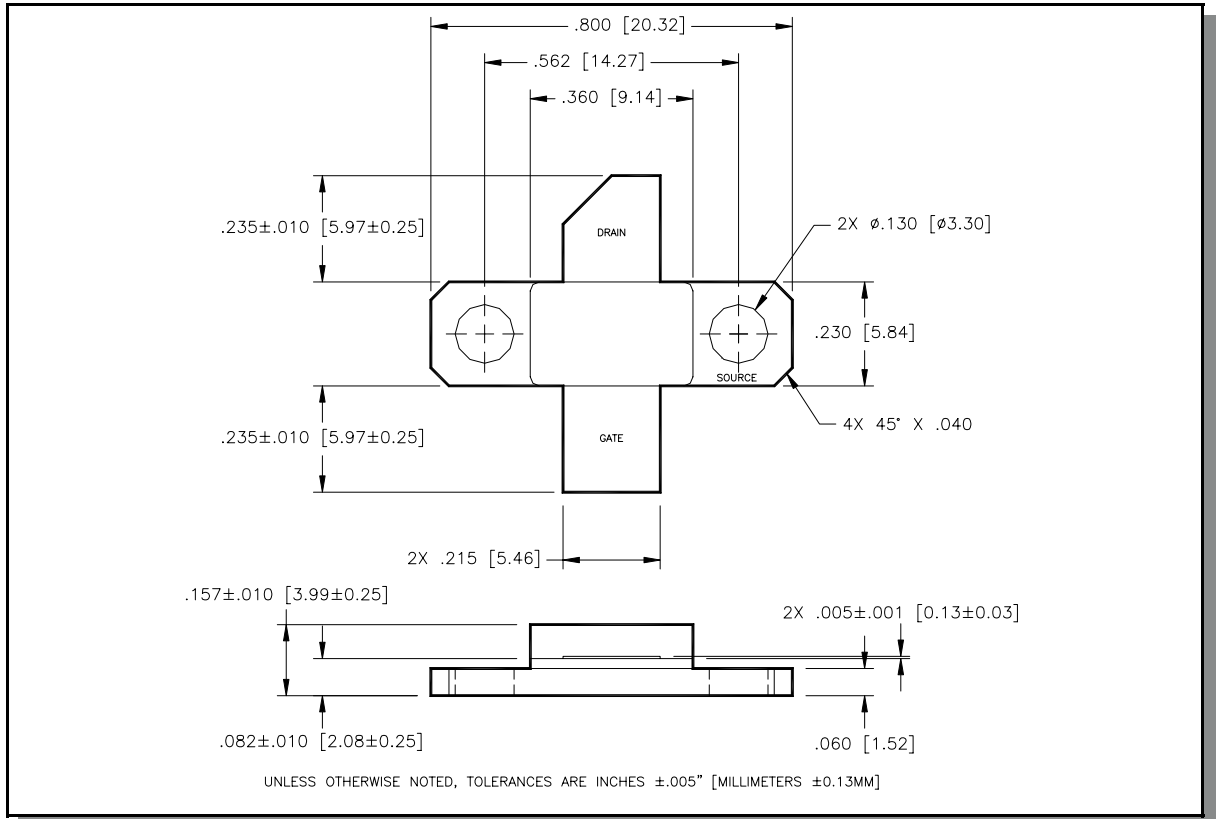


Graph 1. Power Gain and Drain Efficiency vs. Output Power



Graph 2. Intermodulation Distortion vs. Output Power

Package Dimensions



M/A-COM Inc. and its affiliates reserve the right to make changes to the product(s) or information contained herein without notice. M/A-COM makes no warranty, representation or guarantee regarding the suitability of its products for any particular purpose, nor does M/A-COM assume any liability whatsoever arising out of the use or application of any product(s) or information.

Visit www.macom.com for additional data sheets and product information.

- North America: Tel. (800) 366-2266
- Asia/Pacific: Tel. +81-44-844-8296, Fax +81-44-844-8298
- Europe: Tel. +44 (1344) 869 595, Fax+44 (1344) 300 020